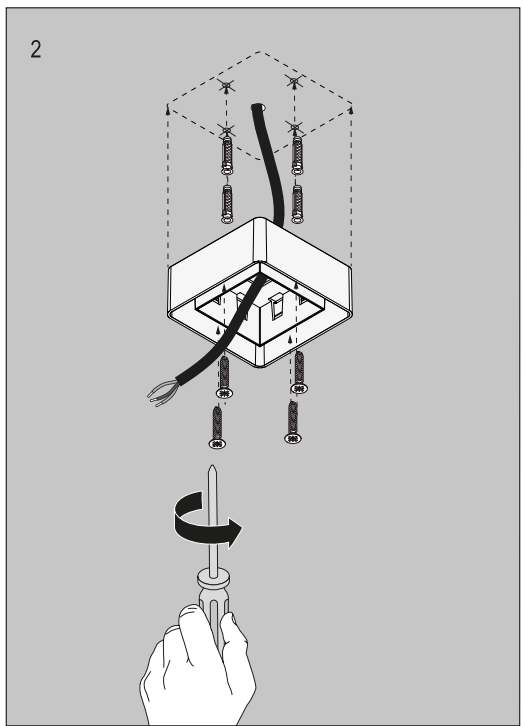
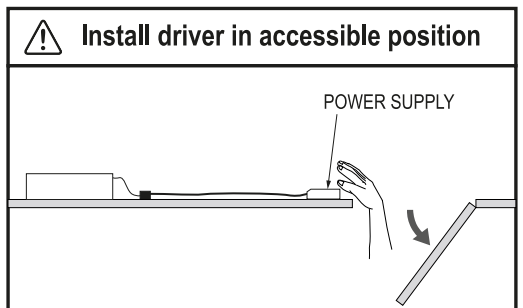
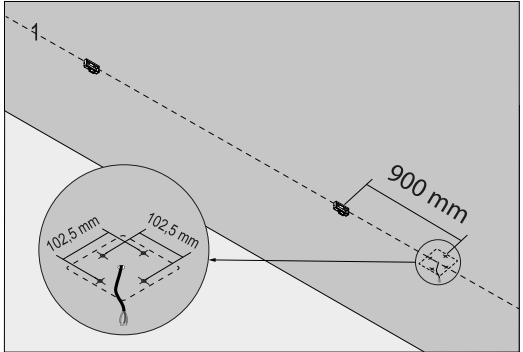
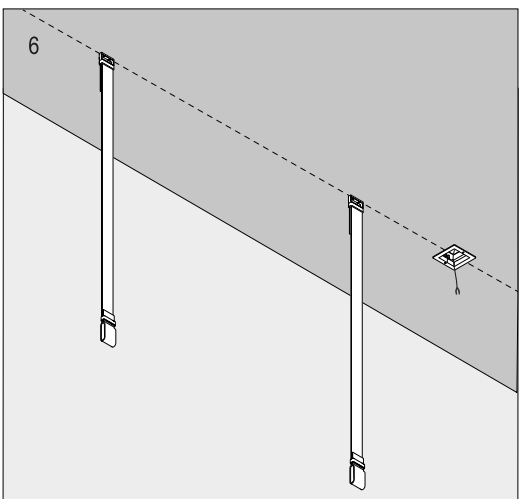
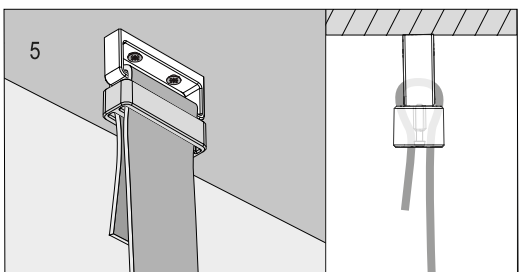
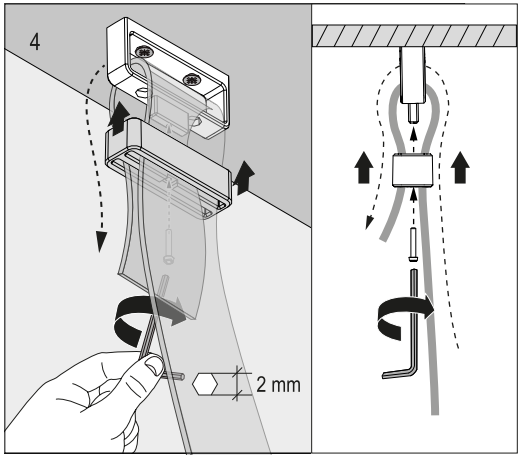
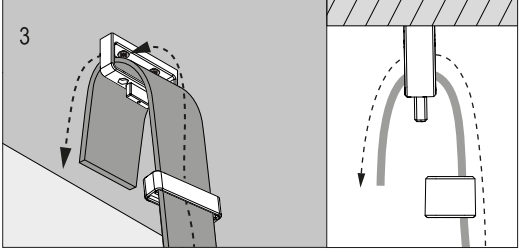
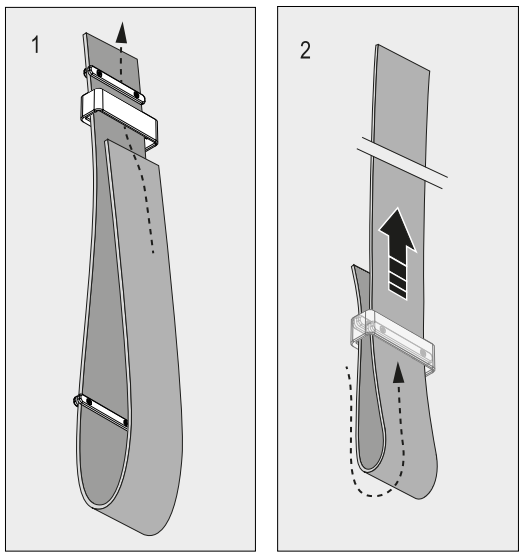


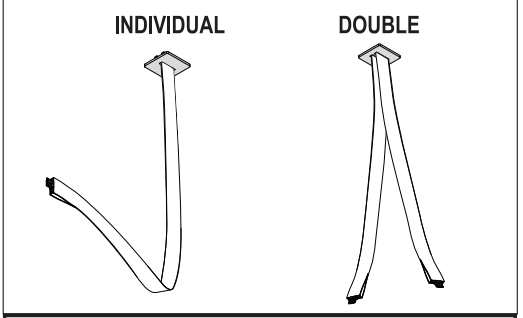
**2.2 SURFACE**



**1. SUSPENSION STRAP INSTALLATION**



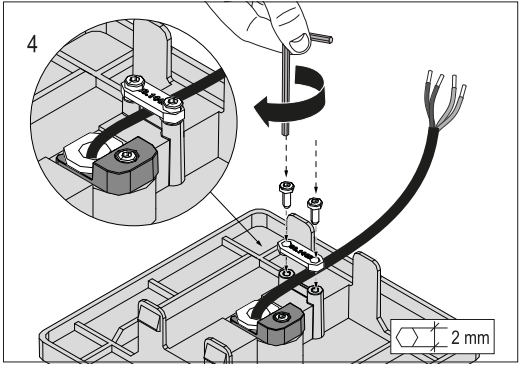
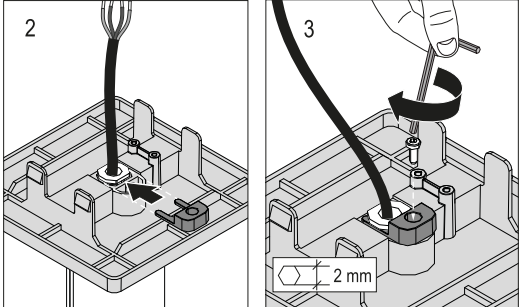
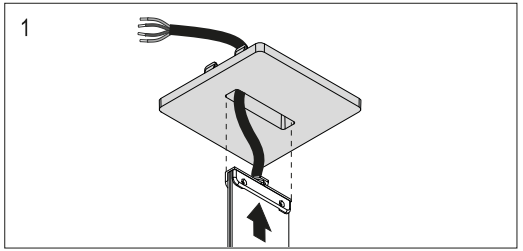
**2. POWER LOOP CEILING INSTALLATION**



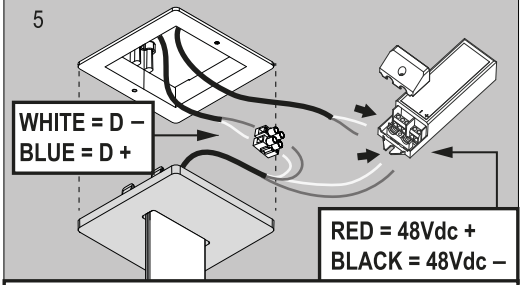
⚠ 48V power loop recommended regarding the suspension stram selected

03.8520.DD + 03.8510.DD  
 03.8521.DD + 03.8511.DD or 03.8513.DD  
 03.8522.DD + 03.8512.DD or 03.8514.DD

**2.1 INDIVIDUAL**

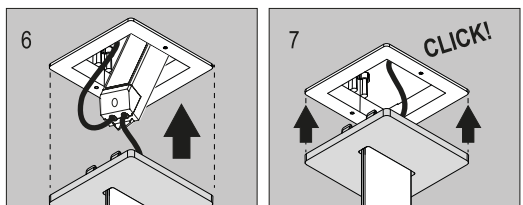


**RECESSED**

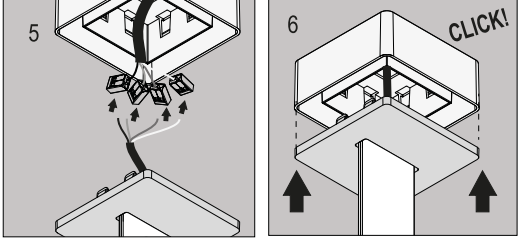


⚠ FOR CASAMBI CONNECT ONLY THE POWER CABLES

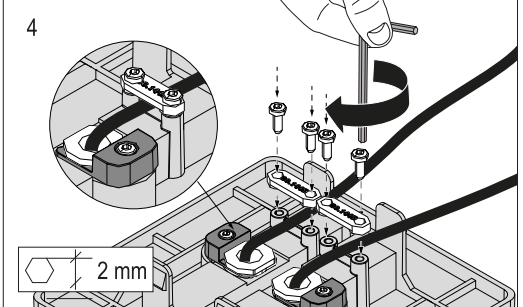
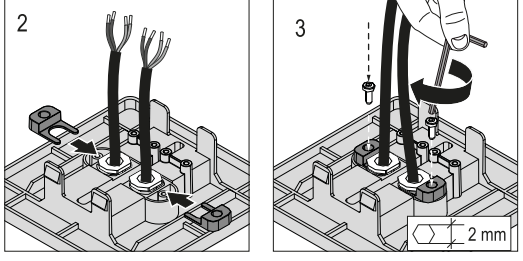
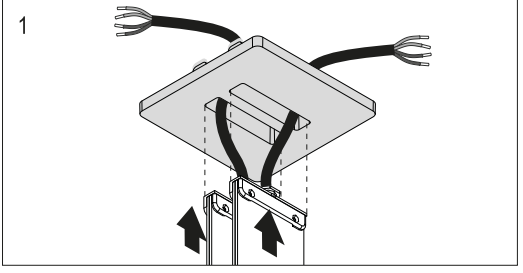
**US VERSION**  
 ⚠ USE ONLY WITH REMOTE CLASS 2 ACCESSIBLE LISTED DRIVER



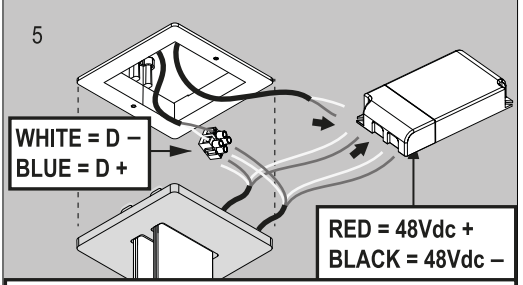
**SURFACE**



**2.2 DOUBLE**

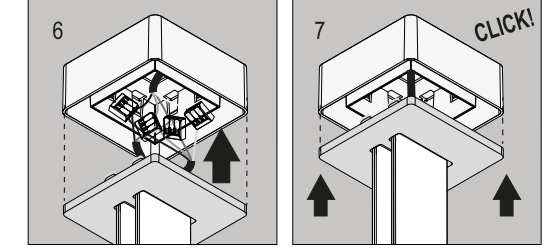
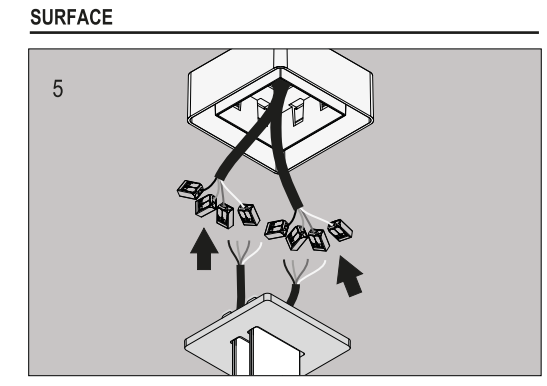
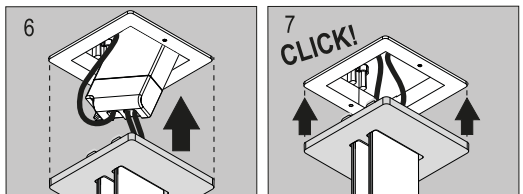


**RECESSED**

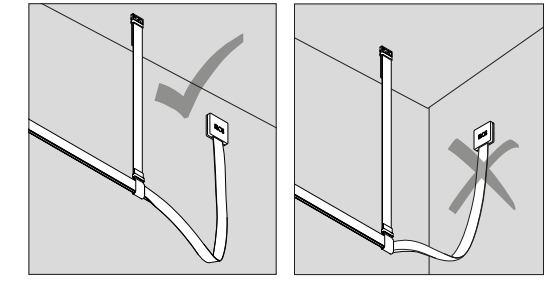
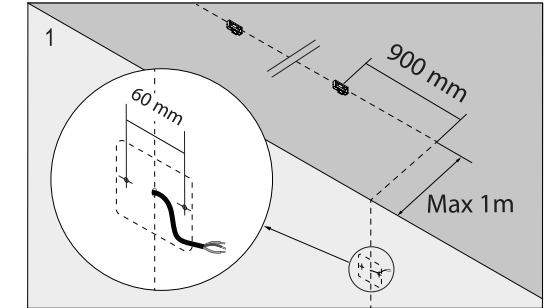


⚠ FOR CASAMBI CONNECT ONLY THE POWER CABLES

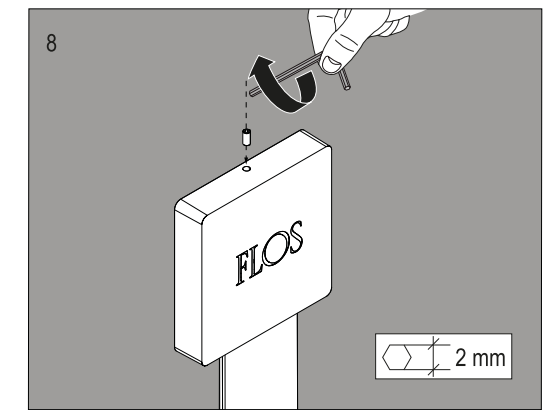
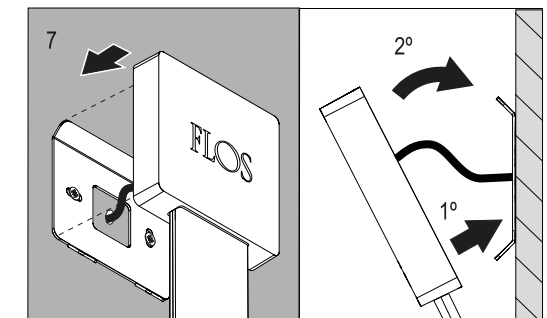
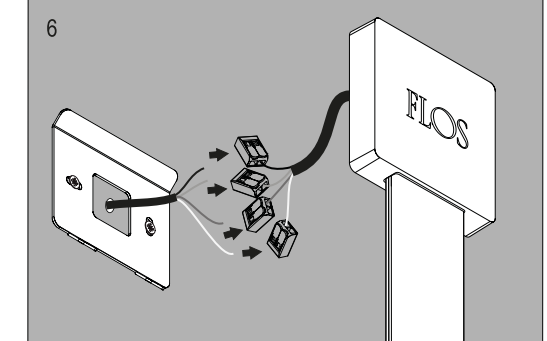
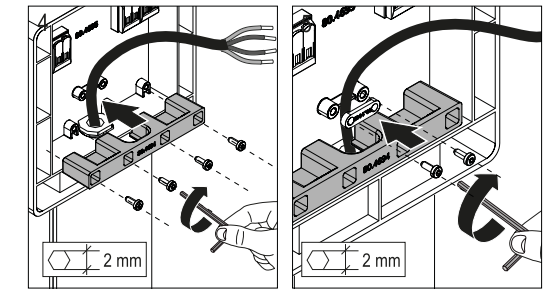
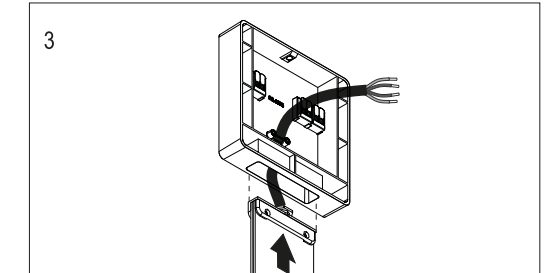
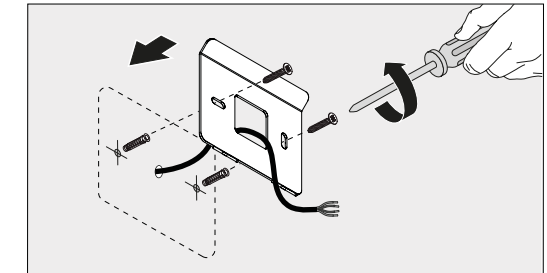
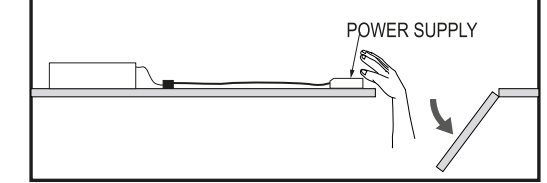
**US VERSION**  
 ⚠ USE ONLY WITH REMOTE CLASS 2 ACCESSIBLE LISTED DRIVER



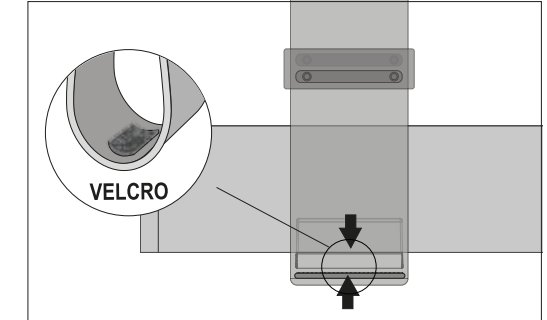
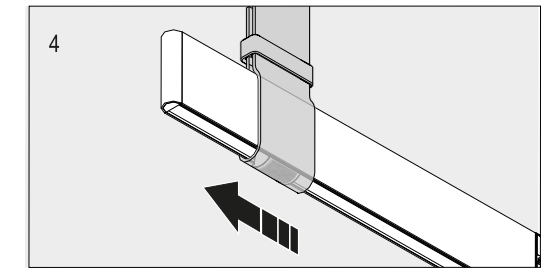
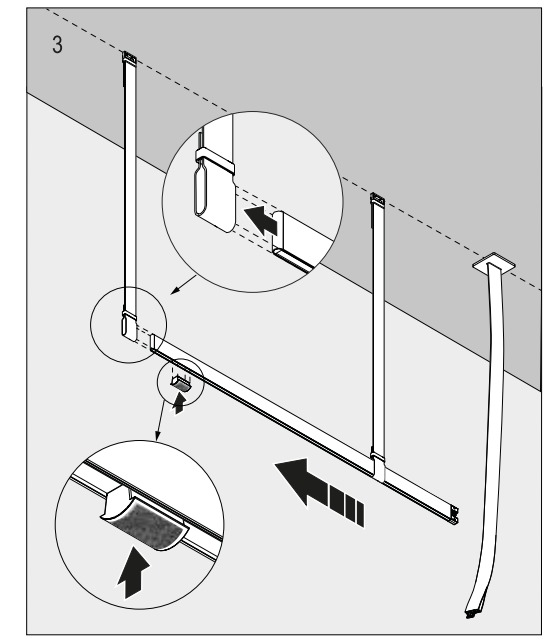
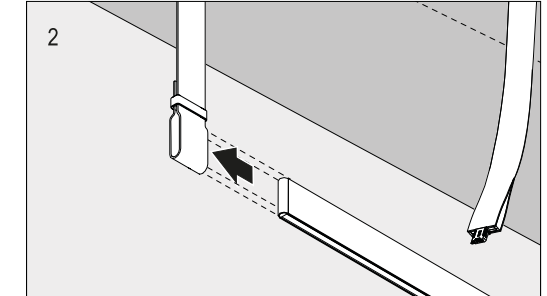
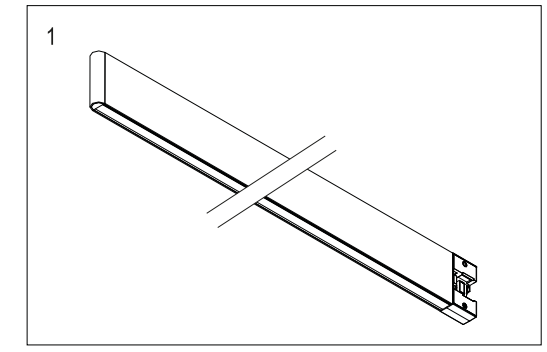
**2. POWER LOOP WALL INSTALLATION**



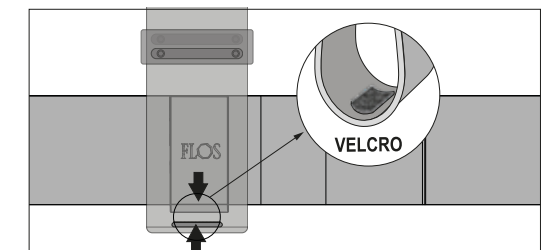
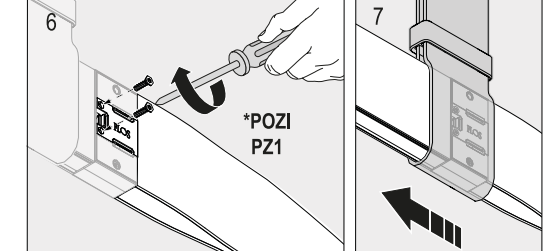
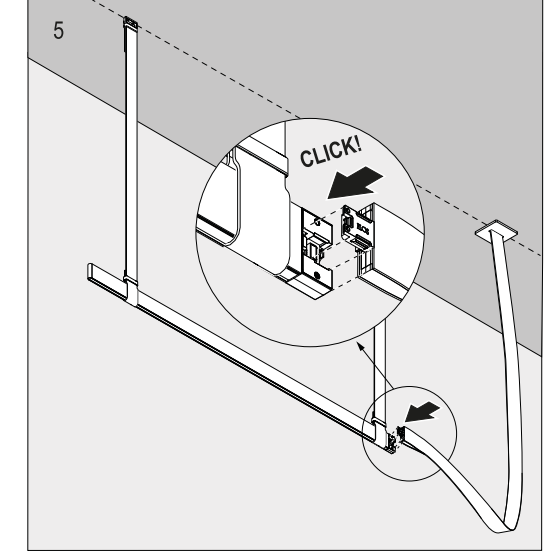
⚠ Install driver in accessible position



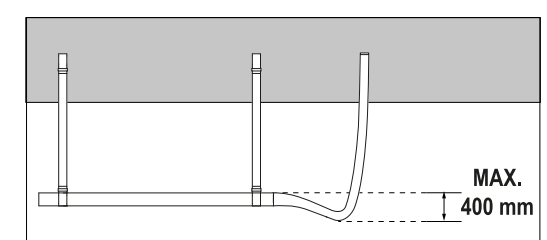
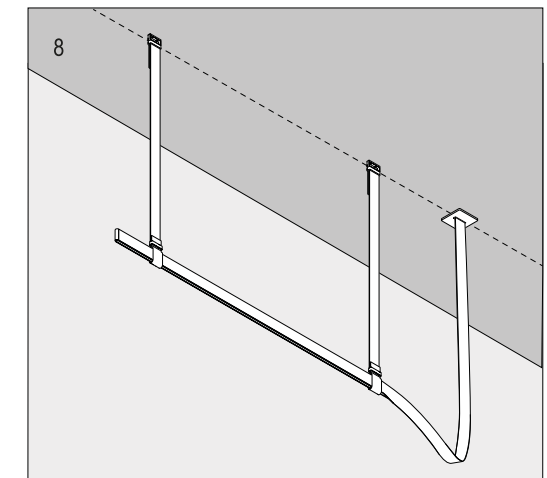
**3. LIGHT MODULE INSTALLATION**



⚠ USE THE VELCRO TO FIX THE LUMINAIRE



⚠ USE THE VELCRO TO FIX THE LUMINAIRE



⚠ Ensure this mesure for all cases, wall or ceiling

⚠ WARNING: The dimming control for all versions will be 1% to 100%.

**CASAMBI VERSION**

- MAX. 15 meters between the luminaire and the control device always in an open space.  
 - To know more about all CASAMBI options visit [www.casambi.com](http://www.casambi.com)

**WARNING!**

Calculate the total power of system output by applying a safety coefficient of +15% without exceeding the driver's full potential.