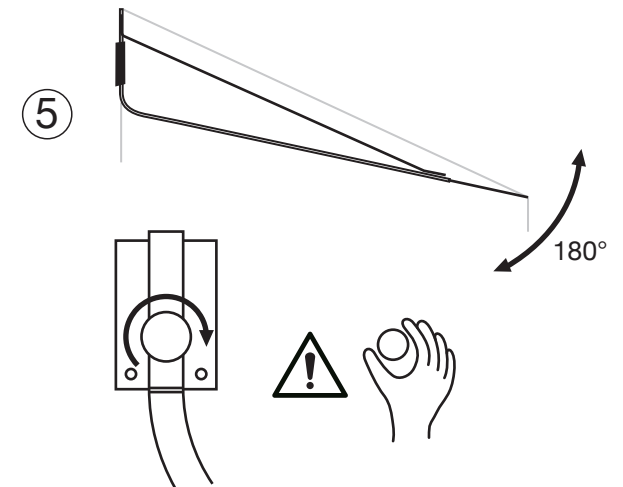
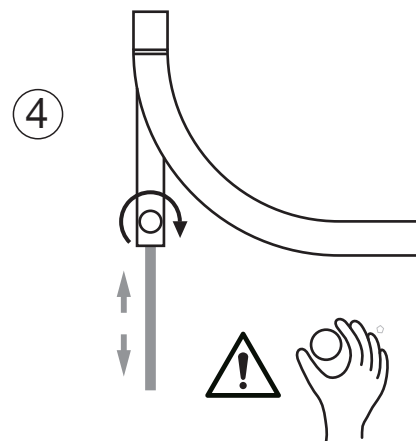
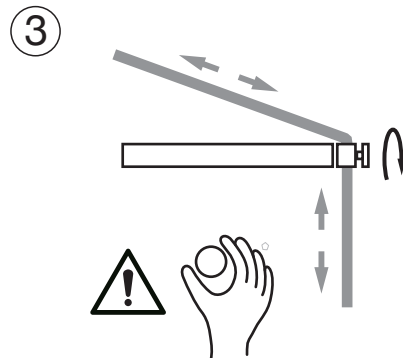
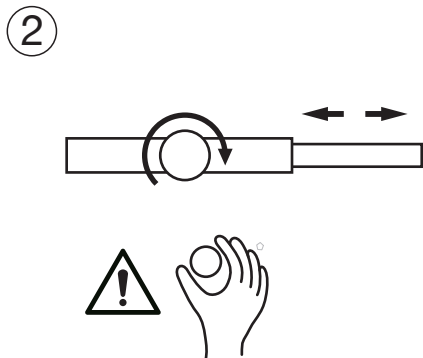
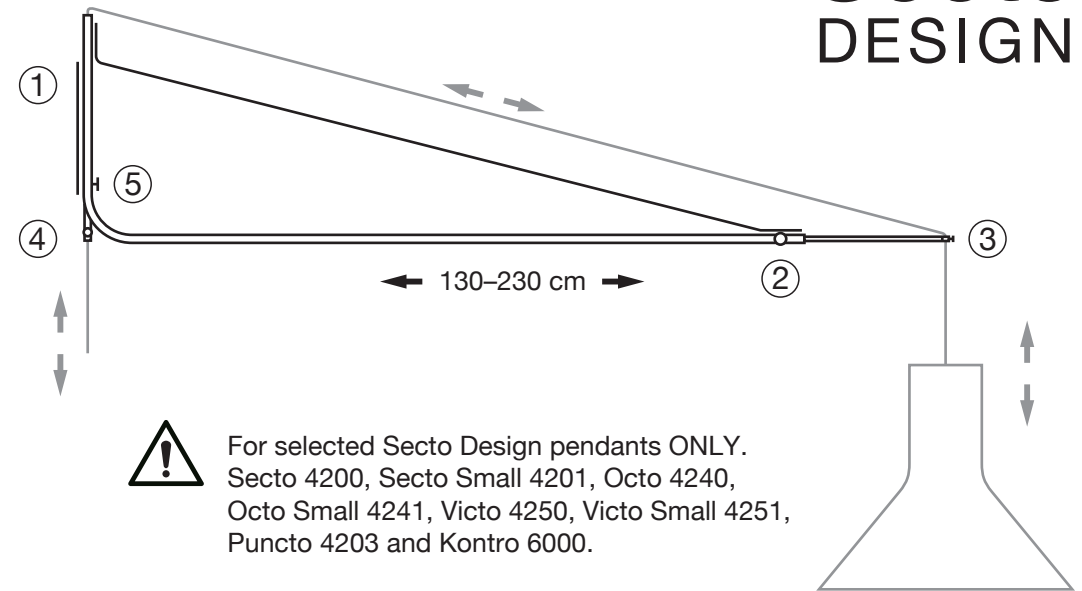
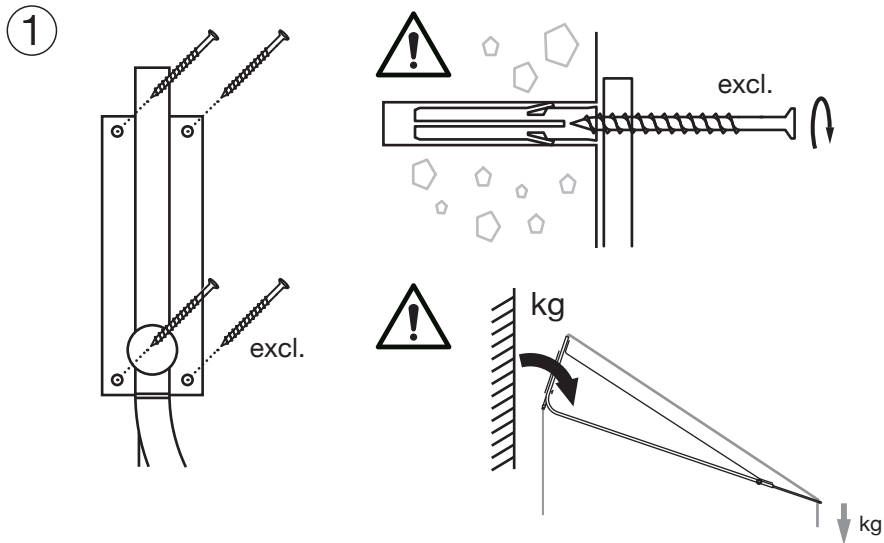


Varsi 1000 | Instructions

Secto DESIGN



! The cable can only be replaced by the manufacturer or a certified electrician.