

# YANO

PENDANT

Design : Klaus Liese

OLIGO Lichttechnik GmbH  
Tannenweg 1  
DE - 53757 Sankt Augustin  
Germany  
www.oligo.de  
info@oligo.de

Art.-Nr. / Item-No.  
**G71-830-10-XX**



Die Lichtfarbe kann ausschließlich über die Casambi APP gesteuert werden.

The colour of light can only be controlled by Casambi APP.

### Technische Daten

Funk:  
Frequenz: 2,4 GHz  
max. Leistung: +4 dBm (< 2,6 mW)

### Voraussetzungen für den Betrieb

- SMART DEVICE mit iOS oder Android\*  
- CASAMBI APP

Eine detaillierte Bedienungsanleitung zur CASAMBI APP finden Sie unter [www.oligo.de](http://www.oligo.de) oder [www.casambi.com](http://www.casambi.com)

\* Mindestvoraussetzungen:  
iPhone 4s, iPad 3, iPod Touch 5  
Android 5.0 mit Bluetooth 4.0 BLE

### Technical Data

Radio:  
Frequency: 2,4 GHz  
max. power: +4 dBm (< 2,6 mW)

### Requirements for operation

- SMART DEVICE with iOS or Android\*  
- CASAMBI APP

For detailed instructions regarding the CASAMBI APP, see [www.oligo.de](http://www.oligo.de) or [www.casambi.com](http://www.casambi.com)

\* Minimum requirements:  
iPhone 4s, iPad 3, iPod Touch 5  
Android 5.0 with Bluetooth 4.0 BLE

Contains FCC ID: 2ALA3-CBM002B Contains IC: 22496-CBM002B

This device complies with part 15 of the FCC Rules. Operation is subject to the following two conditions:

- (1) This device may not cause harmful interference, and
- (2) this device must accept any interference received, including interference that may cause undesired operation.

This device complies with Industry Canada's licenseexempt RSSs. Operation is subject to the following two conditions:

- (1) This device may not cause interference; and
- (2) This device must accept any interference, including interference that may cause undesired operation of the device.

Le présent appareil est conforme aux CNR d'Industrie

Canada applicables aux appareils radio exempts de licence. L'exploitation est autorisée aux deux conditions suivantes:

- (1) l'appareil ne doit pas produire de brouillage;
- (2) l'utilisateur de l'appareil doit accepter tout brouillage radioélectrique subi, même si le brouillage est susceptible d'en compromettre le fonctionnement.

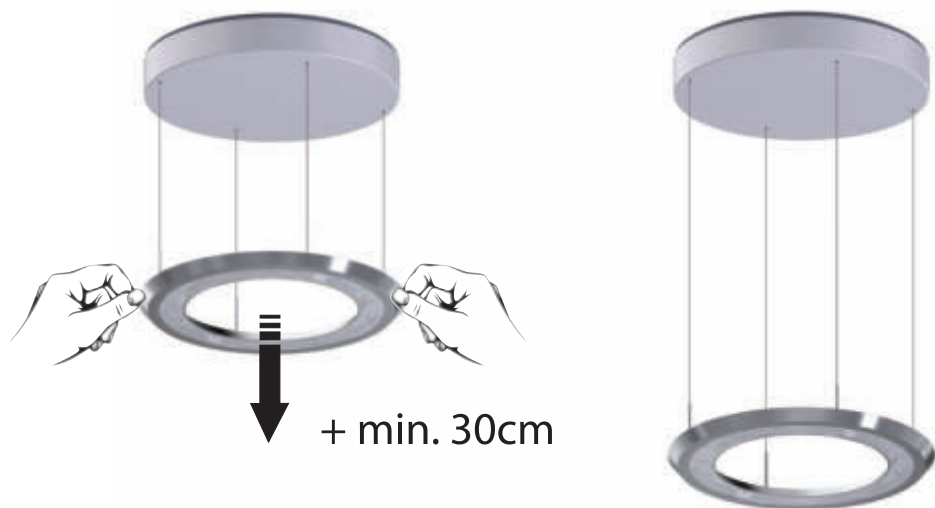
(D)	Leuchtmittel nicht ersetzbar
(GB)	Bulbs not replaceable
(NL)	Lamp niet vervangbaar
(F)	Ampoules non remplaçables
(I)	Lampadina non sostituibile
(ES)	Bombillas no reemplazables
(P)	Lâmpada não substituível
(DK)	Ljuskällorna kan inte bytas ut

(S)	Bulb inte utbytbara
(N)	Lyspærer kan ikke skiftes ut
(FI)	Valistusvälinettä ei voi vaihtaa
(TR)	Ampuller değiştirilemez
(PL)	Źródło światła nie jest wymienne
(GR)	Οι λαμπτήρες δεν αντικαθίστανται
(RUS)	Светодиоды не поддаются замене
(UAE)	تجهيزات الإضاءة غير قابلة للتبديل

	230-240V/50-60Hz DC 24V SELV	51,5W standby : <300mW	Up : 2450lm / Down : 2000lm LED /2200-5000K /CRI-Ra >90
(D)	Spannung	Belastung	Lampe
(GB)	Voltage	Loading	Bulb
(NL)	Spanning	Belasting	Verlichtingsmiddel
(F)	Tension	Charge	Ampoule
(I)	Tensione	Carico	Sorgente luminosa
(ES)	Tensión	Carga	Lámpara
(P)	Tensão	Carga	Lâmpada
(DK)	Spænding	Belastning	Pære
(S)	Spänning	Belastning	Ljuskälla
(N)	Spennning	Fatning	Lampe
(FI)	Jännite	Kuormitus	Lamppu
(TR)	Gerilim	Yük	Lamba
(PL)	Napięcie	Oprawka	Lampa
(GR)	Τάση	Υπόδοχή	Λαμπτήρας
(RUS)	Напряжение	Нагрузка	Лампочка
(UAE)	تجهيد الجهد	التعبئة	المصباح

IEC 62471 (EN 62471) <b>RG1 - LOW RISK</b>	
<b>CASAMBI</b>	

A



B



