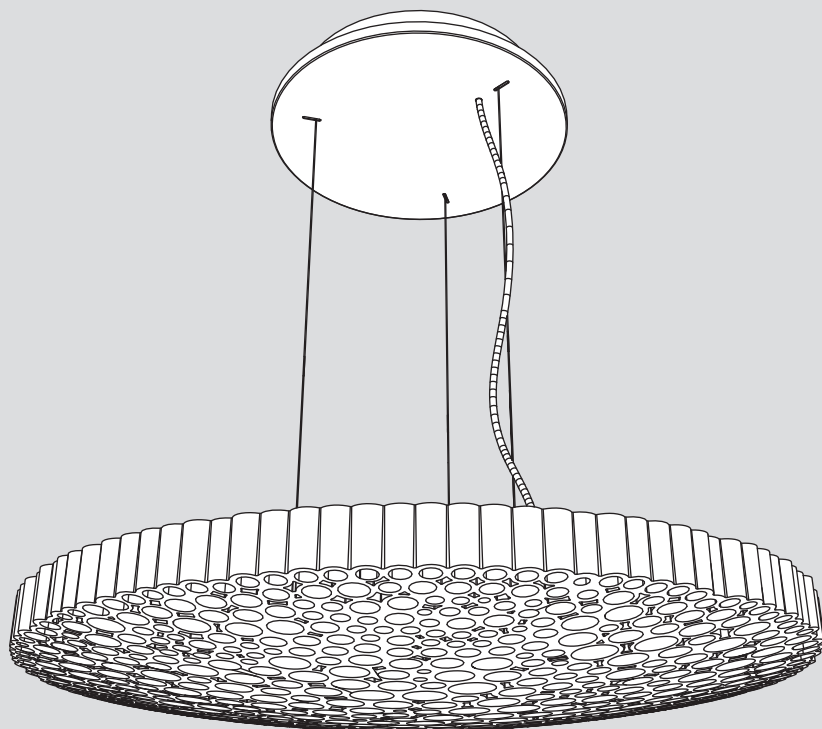


Artemide®

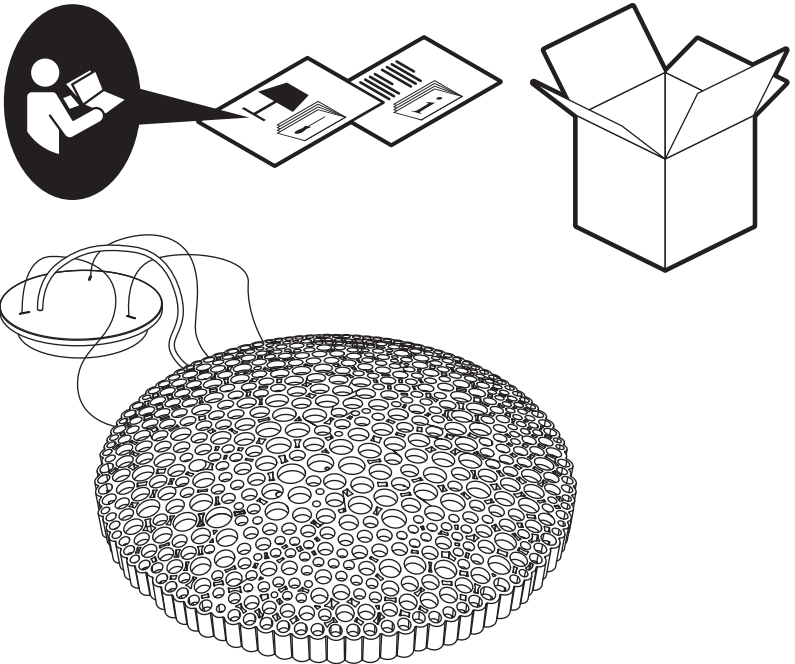
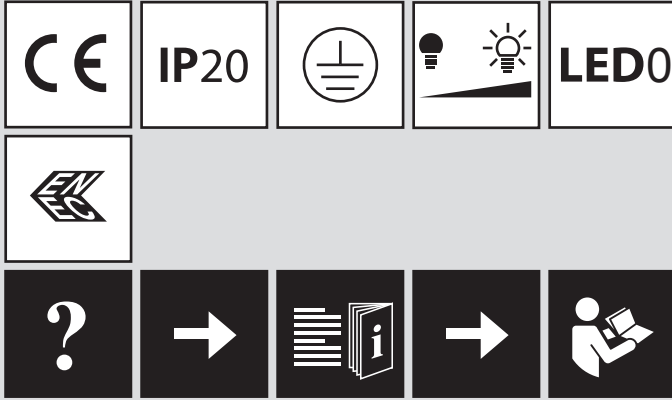
Calipso

design
N. Poulton

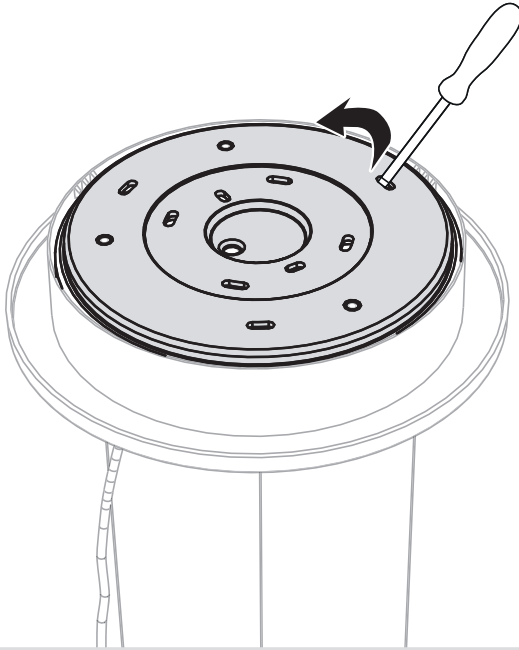




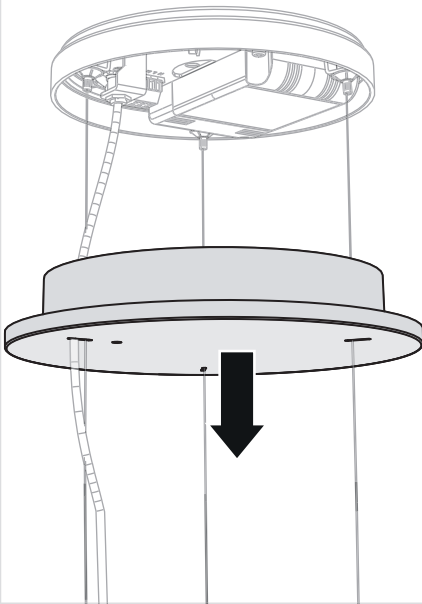
i



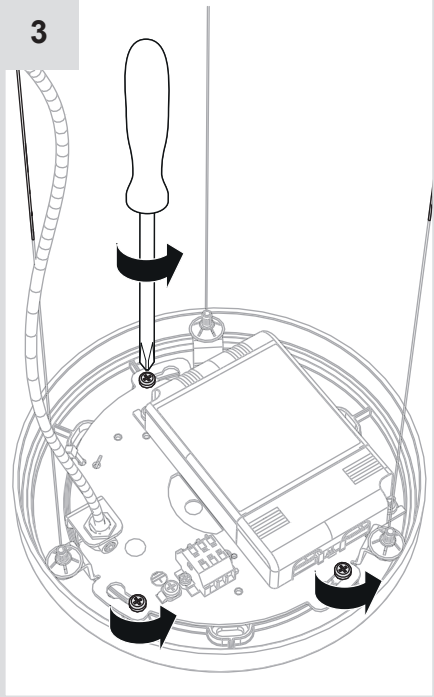
1



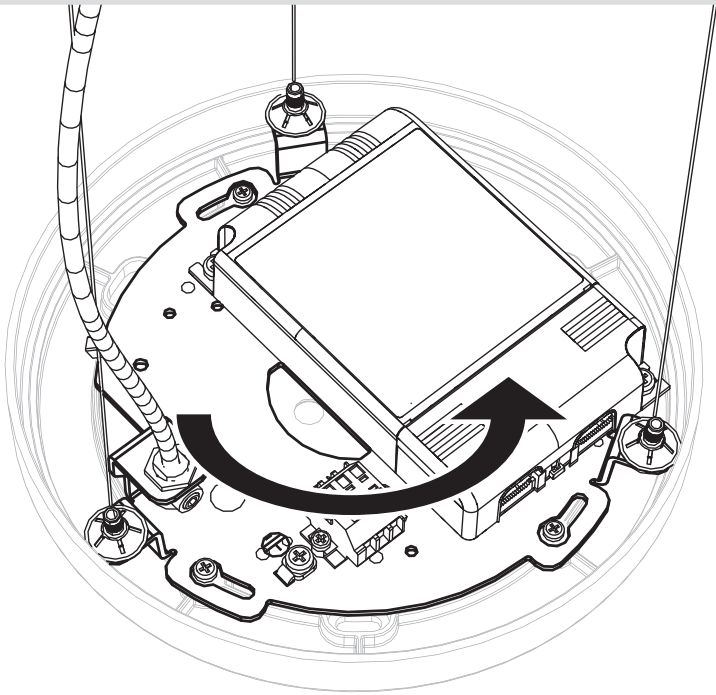
2



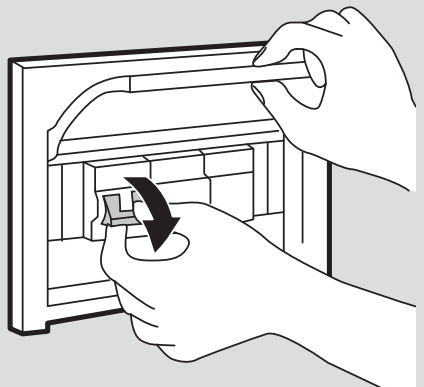
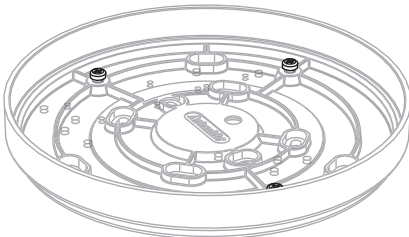
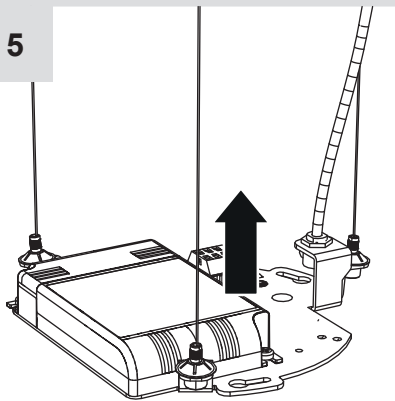
3



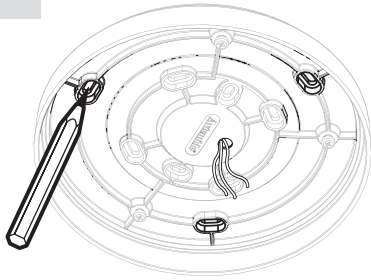
4



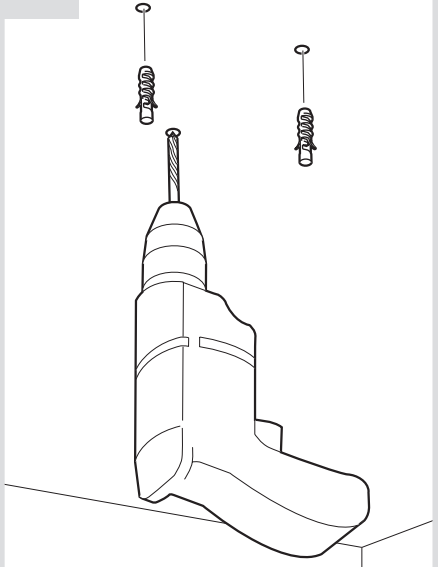
5



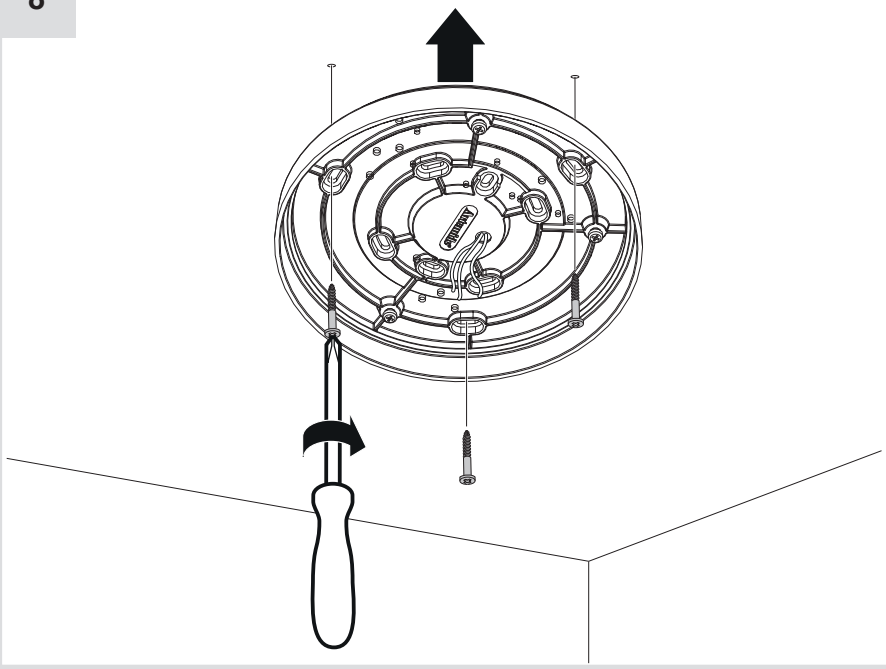
6

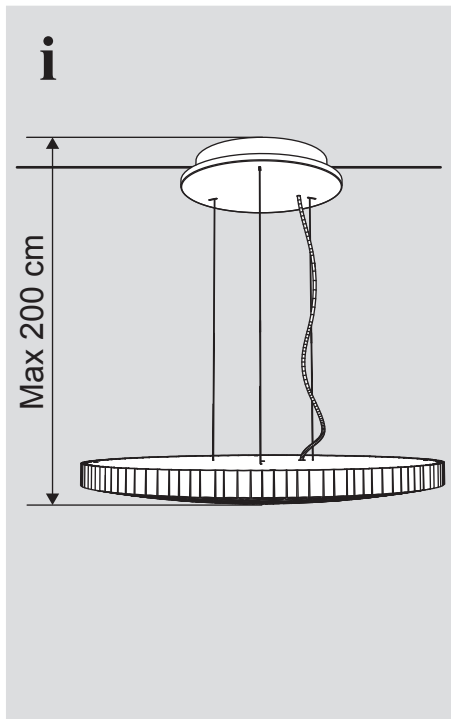
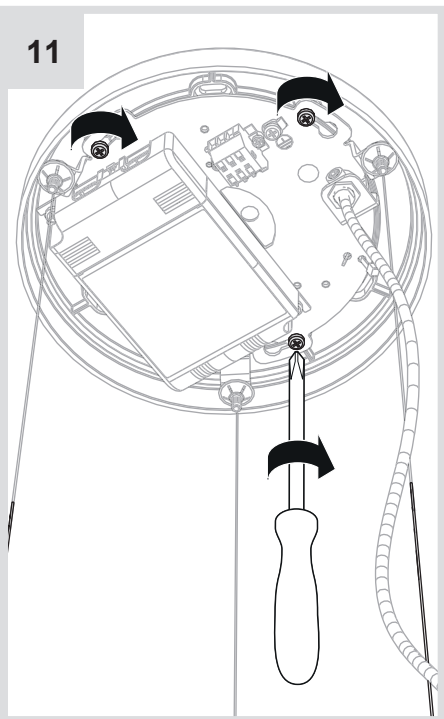
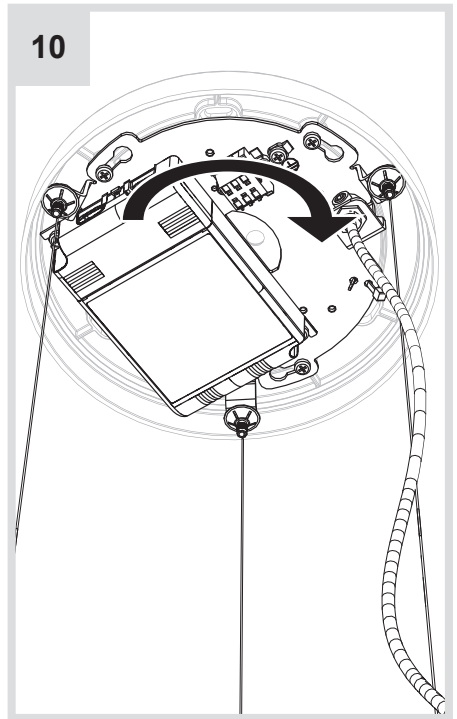
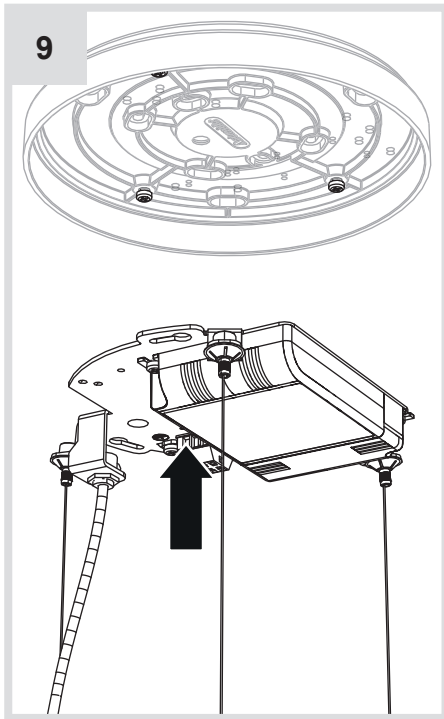


7

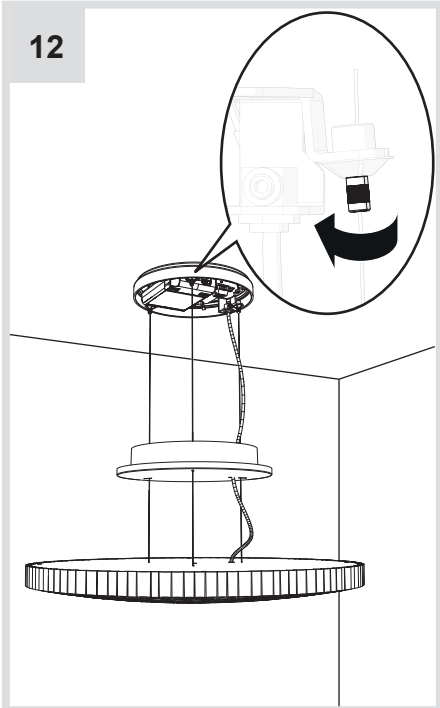


8

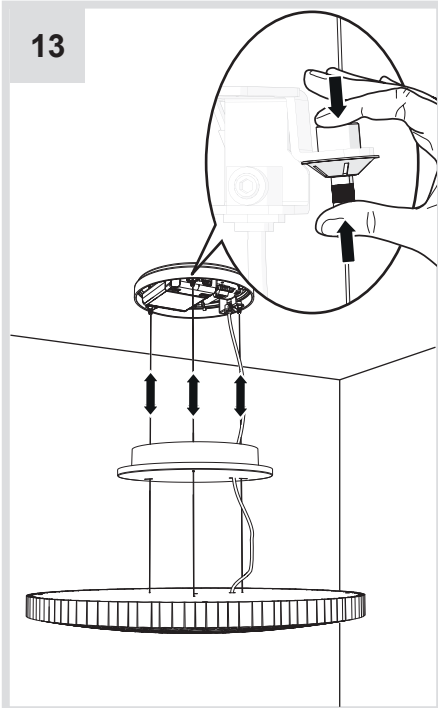




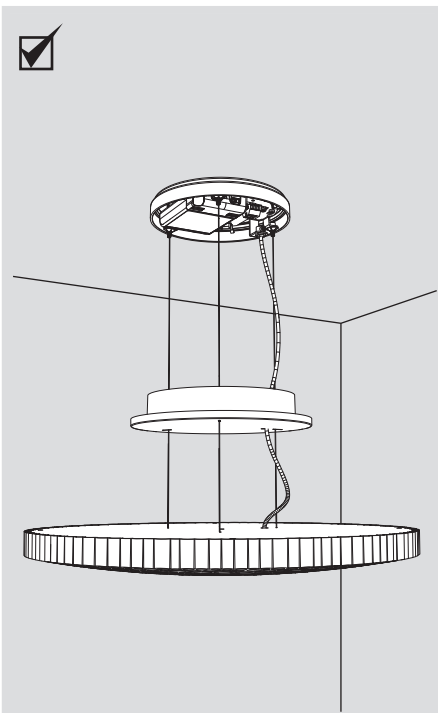
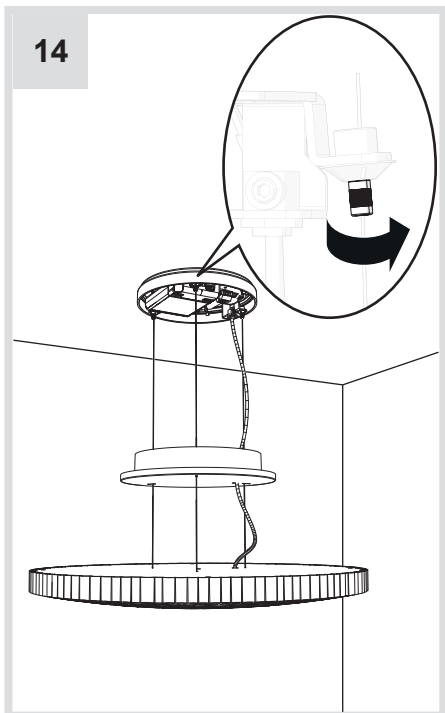
12



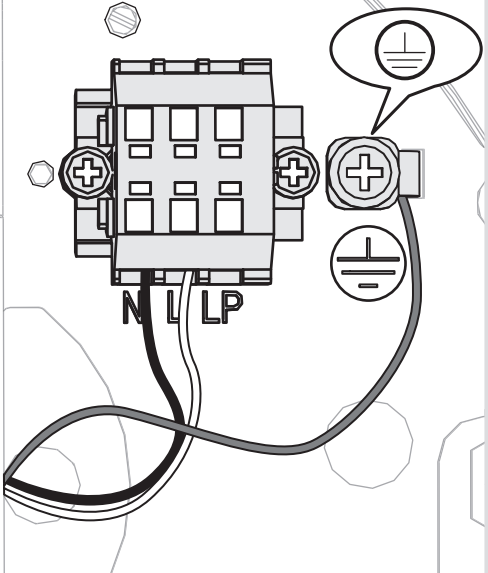
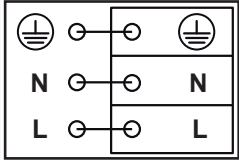
13



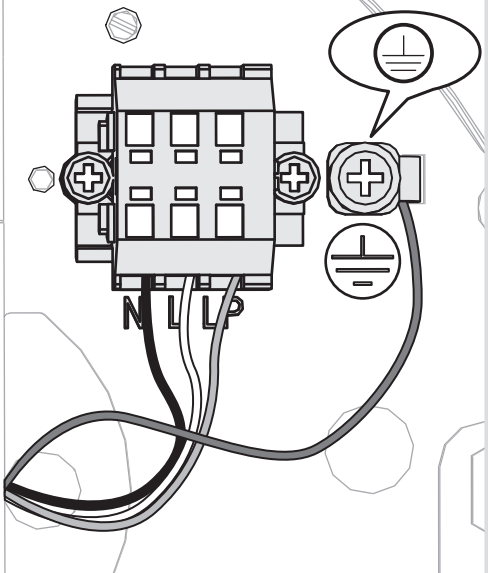
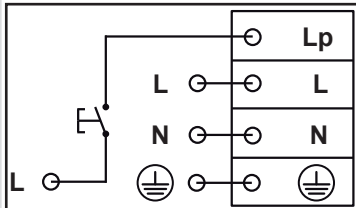
14



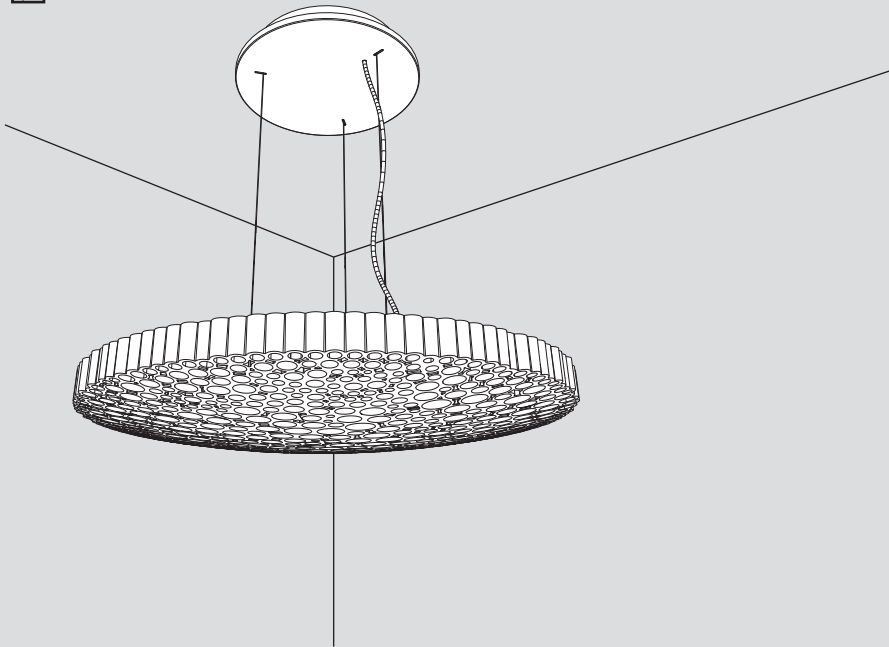
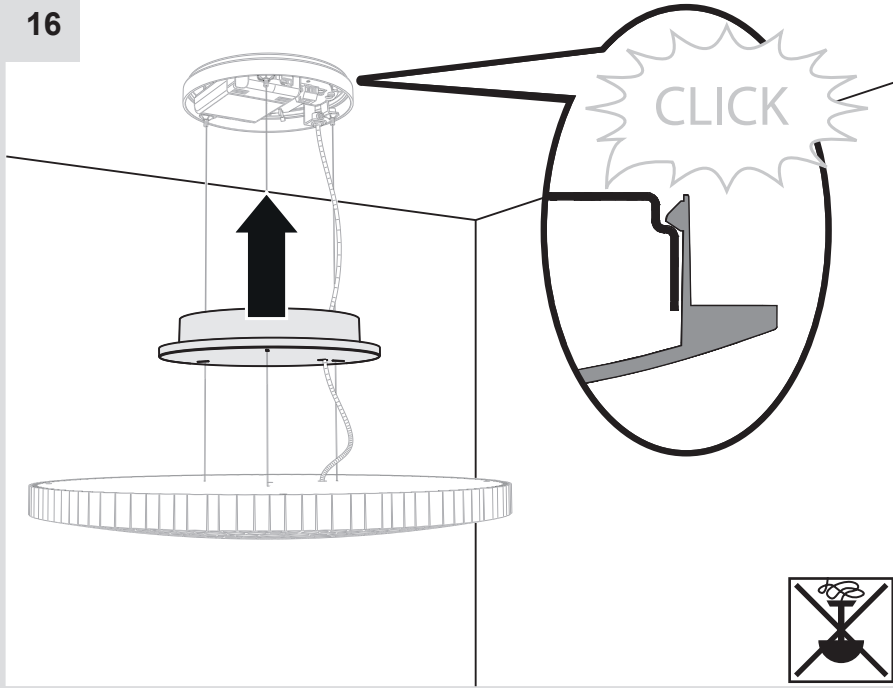
15a 

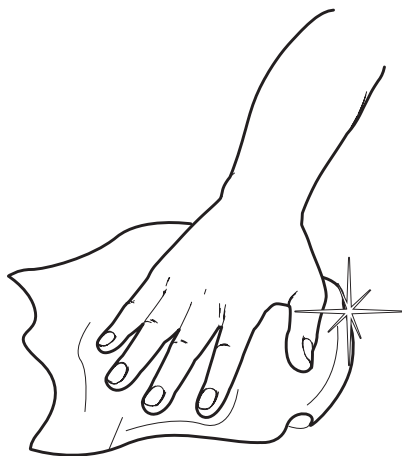


15b 

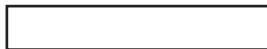


16





Artemide®



Artemide

via Bergamo, 18
20010 Pregnana M.se (MI)
ITALIA

tel. +39 02 935 181
fax +39 02 935 90 254
fax +39 02 935 90 496

www.artemide.com

VAT IT00846890150

cod. Y513000921